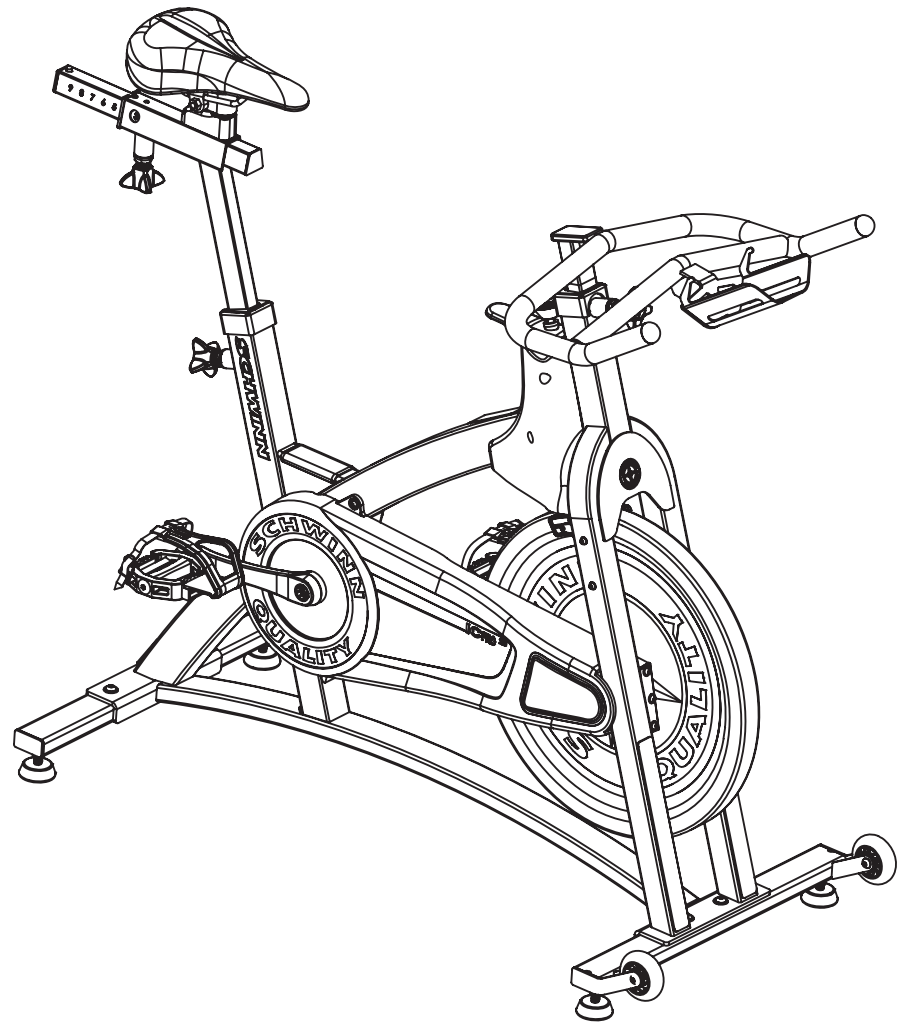
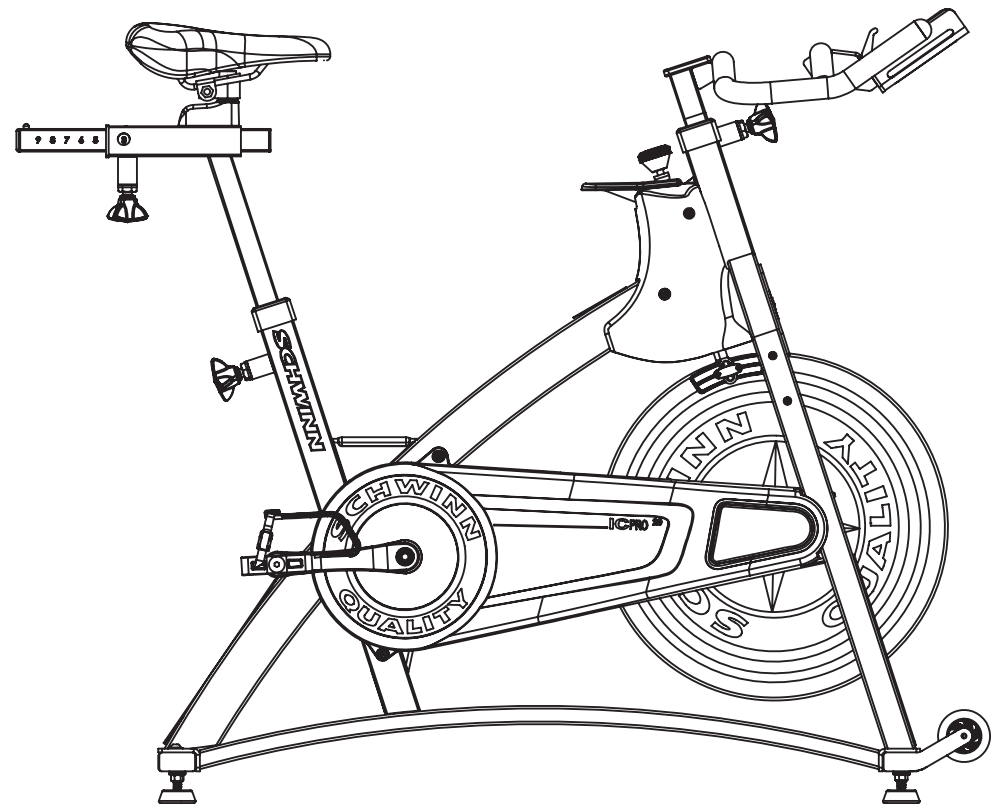
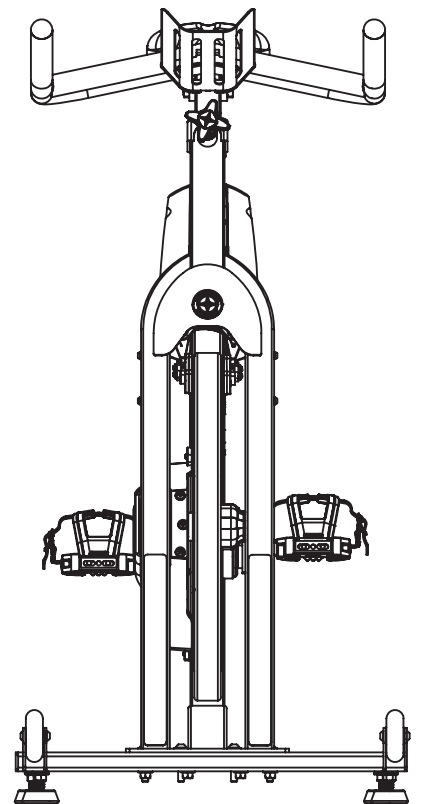
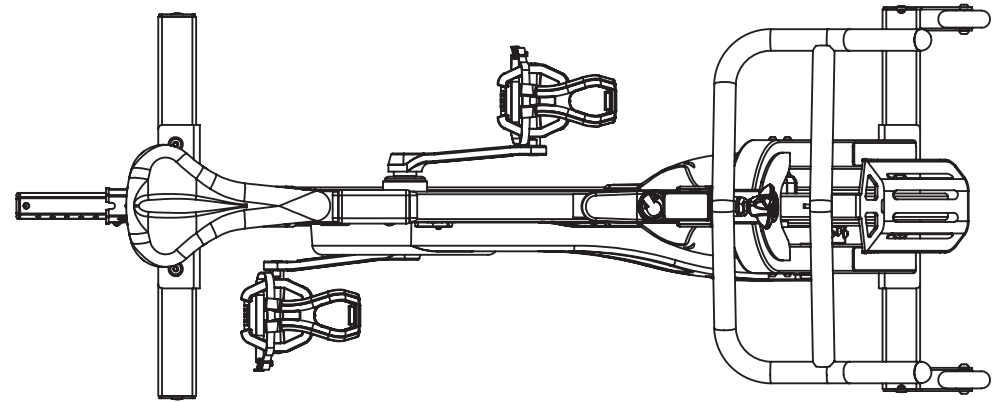


NOTES:

REVISION HISTORY				
REV	DATE	DESCRIPTION	ECO	BY
A	7/31/2014	RELEASE	14739	OT



DOCUMENT STATUS:

NOTICE OF PROPRIETARY INFORMATION
 THIS DOCUMENT SHALL NOT BE REPRODUCED NOR SHALL THE INFORMATION CONTAINED HEREIN BE USED BY OR DISCLOSED TO OTHER EXCEPT AS EXPRESSLY AUTHORIZED BY CORE HEALTH & FITNESS, LLC.

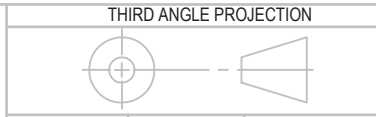
CLASS OF WORK	UNLESS OTHERWISE SPECIFIED DIMS ARE IN mm. TOLERANCES FOR MEASURE OF LENGTH ARE:							ANGLES = ±2°
	0.5 to 3	> 3 to 6	> 6 to 30	> 30 to 120	> 120 to 400	> 400 to 1000	> 1000 to 2000	
FINE	±0.05	±0.05	±0.1	±0.15	±0.2	±0.3	±0.5	----
MEDIUM X	±0.1	±0.1	±0.2	±0.3	±0.5	±0.8	±1.2	±2
COARSE	±0.2	±0.3	±0.5	±0.8	±1.2	±2	±3	±4
VERY COARSE	----	±0.5	±1	±1.5	±2.5	±4	±6	±8

MATERIAL
SEE BOM

FINISH
SEE BOM

VENDOR:

P/N:



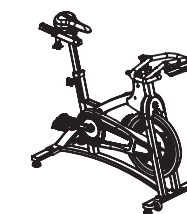
DRAWN	INITIAL	DATE
CHECKED	OT	7/31/2014
APPROVED		

CORE HEALTH & FITNESS, LLC
 4400 NE 77th Ave., Suite 300
 Vancouver, WA 98662

CORE PART NO	REV
100182-001	A
TITLE	
IC PRO 20	
SCALE: 1:10	SHEET 1 OF 7
SHEET SIZE: B	

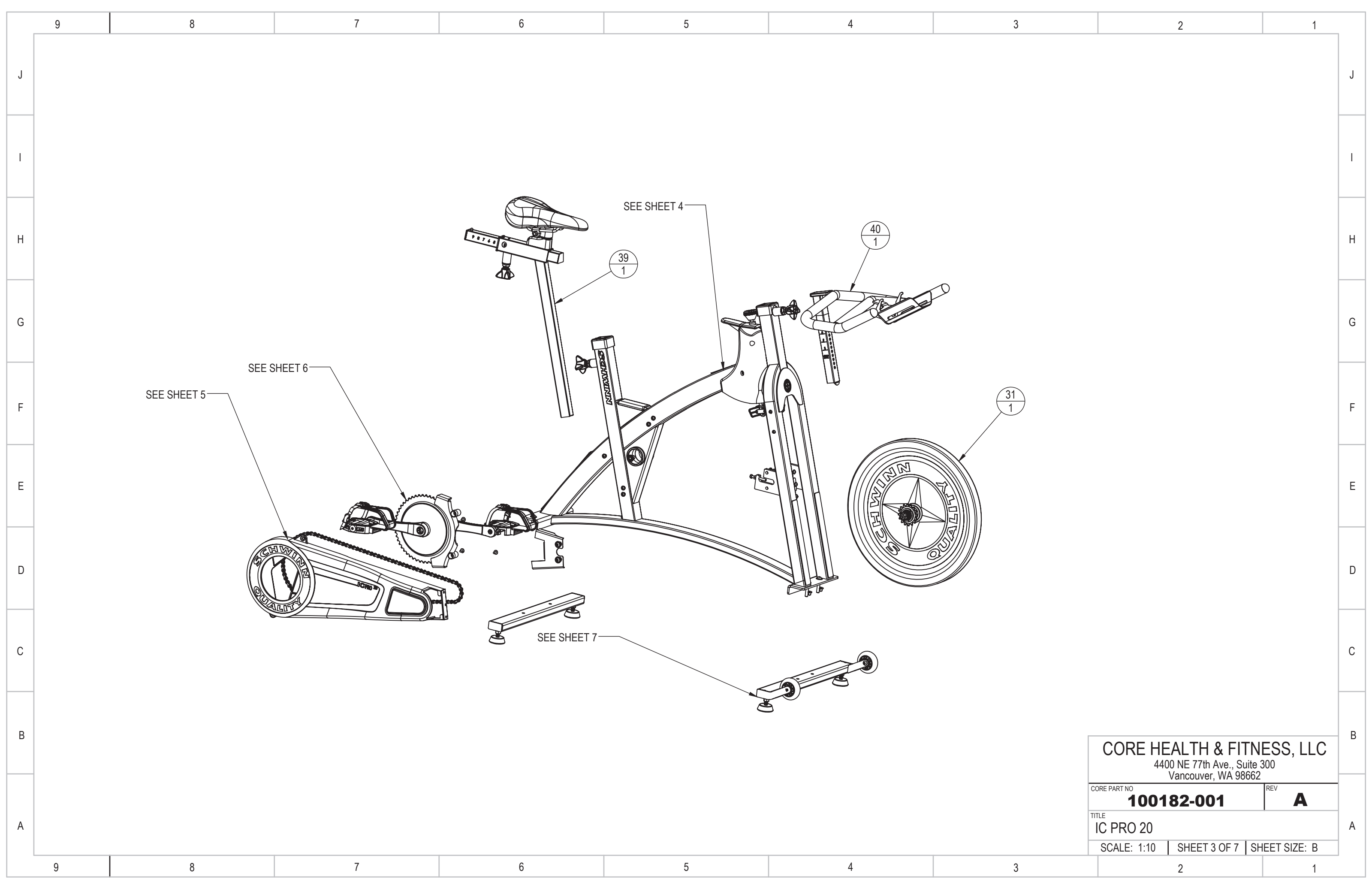
ITEM NO.	PART NUMBER	DESCRIPTION	QTY.	NOTES
1	000-0011	ASSY, SET, PEDALS, D10	1	
2	002-2265	POP PIN ASSEMBLY, SCHWINN	2	
3	002-2780	LEFT CRANK ARM, ISIS	1	
4	003-1508	ISIS BB, 68 X 113mm	1	
5	003-7529	BRAKE ASSY	1	
6	003-7487	REAR STABILIZER WELDMENT	1	
7	003-7582	RUBBER STOPPER, BRAKE ASSY	2	
8	015-0009	RIGHT CRANK W/SPROCKET, ISIS M12, 1/8	1	
9	110-3399	SCREW, M8x20MM, BHC,CS,HK,BO	2	
10	110-3467	SCREW, M4 X .7, 8mm, PHT, PH, SS	2	
11	440-3549	LOCKNUT, M8X1.25	4	REF
12	110-3557	SCREW, M5X0.8, BHC, HE, SS	4	
13	110-3619	NUT, M10X1, NYLOC	1	
14	440-3620	SCREW, M8X1.25X45, BHC, SS	4	REF
15	120-3361	WASHER M5	14	
16	731-0585	WASHER, M4	2	
17	731-1363	NUT, M6X1.0, NYLOC	1	
18	740-7146	WASHER, PLAIN, M8, SS	40	REF
19	740-7167	WASHER, LOCK, SPLIT, M6	2	
20	740-7174	NUT, M6X1, HE, SS	2	
21	740-7176	SCREW, M6X1.0X50, HHM, HE, SS	2	
22	740-7303	NUT, RIVET, HEX, M5X0.8	11	
23	015-0007	CHAIN, 1/2 X 1/8", 112L, KMC	1	
24	740-8741_001	ASSY, CHAINGUARD, OUTER, IC PRO 20	1	
25	740-8741_001	CHAINGUARD, OUTER, IC PRO 20	1	
26	740-8741-005	DECAL, CHAINGUARD, IC PRO 20	1	
27	740-8741_002	CHAINGUARD, INNER, IC PRO 20	1	
28	740-8741_003	CHAINGUARD, WING, IC PRO 20	1	
29	740-8741_004	CHAINGUARD, FRONT, IC PRO 20	1	

ITEM NO.	PART NUMBER	DESCRIPTION	QTY.	NOTES
30	740-8741_006	CAP, HOLE, CHAINGUARD, IC PRO 20	1	
31	740-8742	ASSY, FLYWHEEL, IC PRO 20	1	
32	740-8743	ASSY, FRAME, IC PRO 20	1	
33	001-0595	STABILIZER FOOT - 3/8 - 16	4	
34	740-8760	ASSY, WLDMNT, STAB, FRNT, IC PRO 20	1	
35	001-0688	ASSEMBLY, TRANSPORT WHEEL	2	
36	110-3480	NUT, 3/8-16, SHN, CS, ZP, GR 5	4	
37	740-7187	SCREW, M6X1.25X10, BHC, HE, SS	2	
38	740-8007	BOLT, WHEEL, NXT	2	
39	740-8745	ASSY, SEAT POST W SEAT IC PRO 20	1	
40	740-8746	ASSY, H BAR SINGLE BOTTLE, IC PRO 20	1	
41	740-8749	SLEEVE, HBAR SEATPOST, IC PRO	2	
42	740-8750	HEAD BADGE, SCHWINN, 40MM	1	
43	740-8751	E STOP KNOB, IC PRO	1	
44	740-8752	BRAKE KNOB, IC PRO	1	
45	740-8753	BRAKE HOUSING, DR, IC PRO 20	1	
46	740-8754	BRAKE HOUSING, NDR, IC PRO 20	1	
47	740-8755	EXTL RET RING, 5MM, ZP	1	
48	740-8756	SPACER, BALL END, BRAKE, IC PRO	1	
49	740-8757	SHAFT, E BRAKE, IC PRO	1	
50	740-8758	BUSHING, E BRAKE, IC PRO	2	
51	740-8759	BLOCK, 3/8-16, BRAKE, IC PRO	1	
52	740-8761	FINGER GUARD, 16T SPROCKET IC PRO 20	1	
53	740-8762	FINGERGUARD, 52 T, IC PRO 20	1	
54	740-8764	STEPOVER PAD, IC PRO 20	1	
55	902-5550	SCW-RHP M5x0.8x12 SS	16	
56	902-6063	WSH-FLAT M6 WIDE SS	1	
57	80044	CRANK BOLT 8MM HEX FOR ISIS	2	
58	98009	ROD CARRIER	1	
59	740-8772	STEP PAD, IC PRO 20	3	
60	050-1955	LABEL, WARNING, COMM, SPINNERS	1	
61	050-2115	LABEL, COUNTRY OF ORIGIN	1	
62	015-0001	LABEL, SERIAL, IC PRO	1	
63	740-8770	DECAL, SEATTUBE, IC PRO 20	2	



CORE HEALTH & FITNESS, LLC
4400 NE 77th Ave., Suite 300
Vancouver, WA 98662

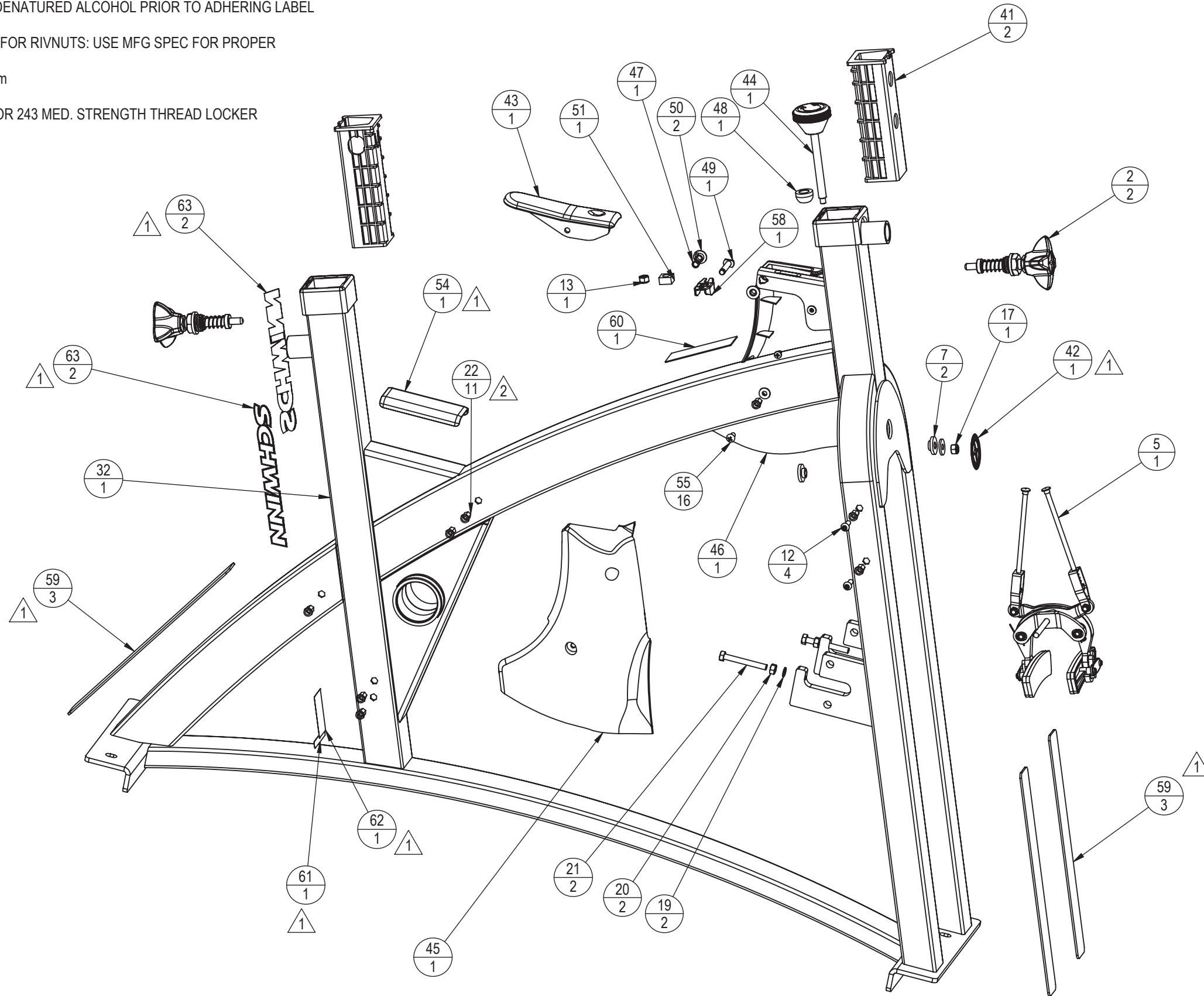
CORE PART NO	100182-001	REV	A
TITLE	IC PRO 20		
SCALE: 1:50	SHEET 2 OF 7	SHEET SIZE: B	



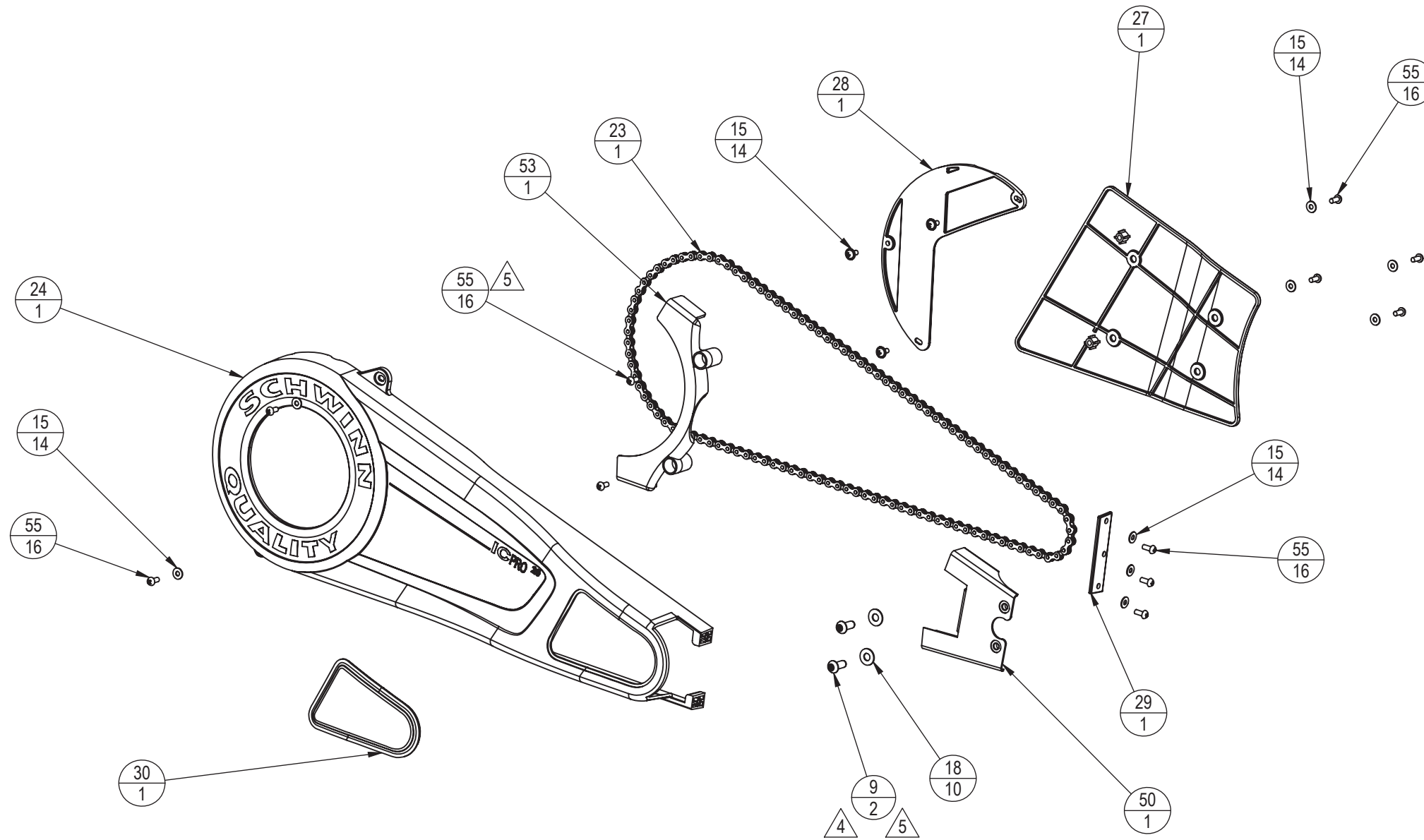
CORE HEALTH & FITNESS, LLC 4400 NE 77th Ave., Suite 300 Vancouver, WA 98662		
CORE PART NO 100182-001	REV A	
TITLE IC PRO 20		
SCALE: 1:10	SHEET 3 OF 7	SHEET SIZE: B

NOTES:

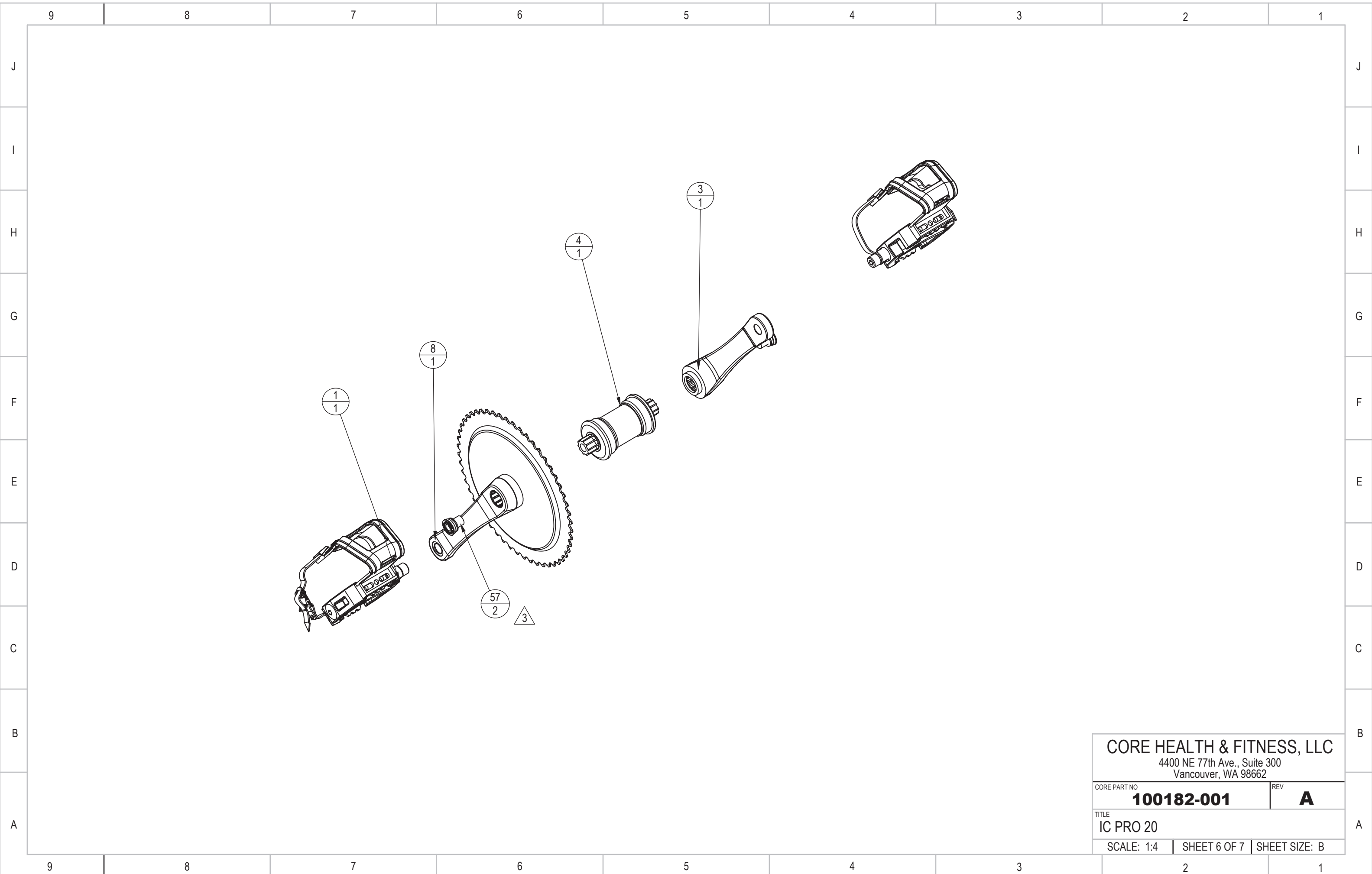
1. CLEAN SURFACE W DENATURED ALCOHOL PRIOR TO ADHERING LABEL OR LOGOS
2. INSTALLATION LOAD FOR RIVNUTS: USE MFG SPEC FOR PROPER CLINCH FORCE
3. TORQUE TO 47-54 N-m
4. TORQUE TO 15 N-m
5. APPLY LOCTITE 242 OR 243 MED. STRENGTH THREAD LOCKER



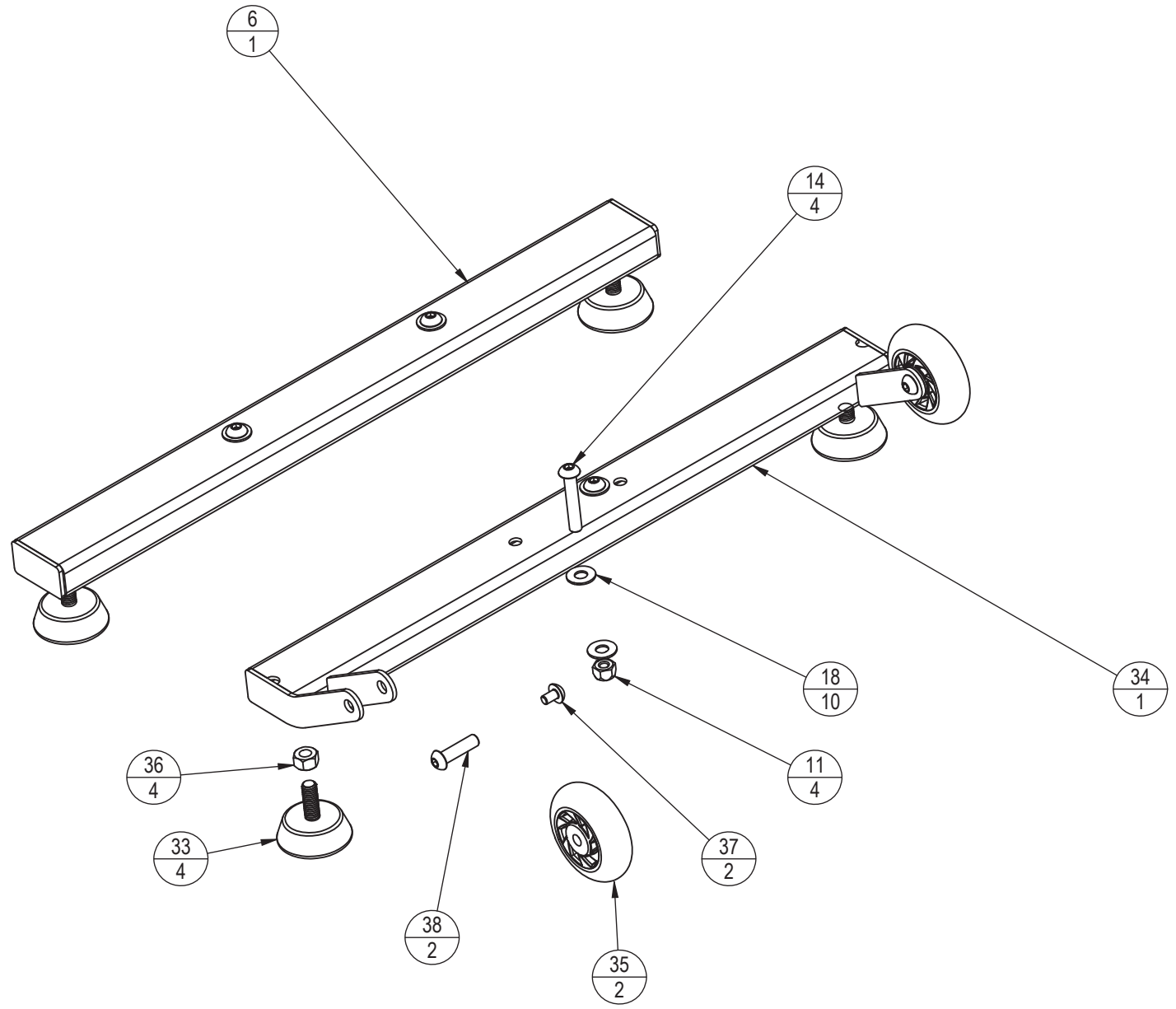
CORE HEALTH & FITNESS, LLC 4400 NE 77th Ave., Suite 300 Vancouver, WA 98662		
CORE PART NO	100182-001	REV A
TITLE IC PRO 20		
SCALE: 1:5	SHEET 4 OF 7	SHEET SIZE: B



CORE HEALTH & FITNESS, LLC 4400 NE 77th Ave., Suite 300 Vancouver, WA 98662		
CORE PART NO	100182-001	REV A
TITLE IC PRO 20		
SCALE: 1:6	SHEET 5 OF 7	SHEET SIZE: B



CORE HEALTH & FITNESS, LLC 4400 NE 77th Ave., Suite 300 Vancouver, WA 98662		
CORE PART NO	100182-001	REV A
TITLE IC PRO 20		
SCALE: 1:4	SHEET 6 OF 7	SHEET SIZE: B



CORE HEALTH & FITNESS, LLC 4400 NE 77th Ave., Suite 300 Vancouver, WA 98662		
CORE PART NO	100182-001	REV A
TITLE IC PRO 20		
SCALE: 1:4	SHEET 7 OF 7	SHEET SIZE: B